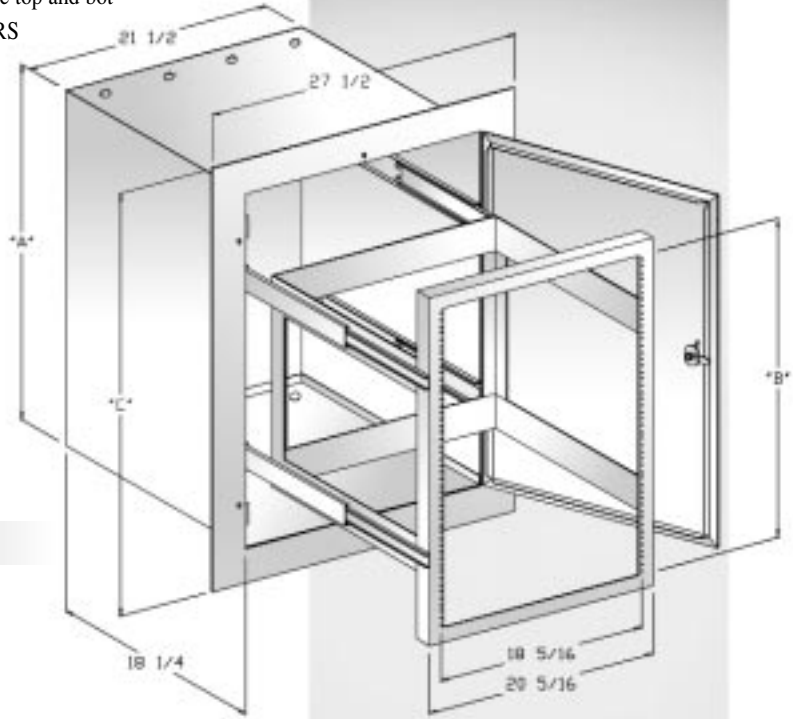


**PRODUCT DESCRIPTION**

The HTB Series heavy duty Pull-out recessed cabinet is available in 4 different heights. The basic cabinet consists of a 16 gauge CRS rear enclosure assembly with knockouts for conduit and cable access on the top and bottom. The front panel frame is constructed from 11 gauge CRS and the locking front door is 16 gauge CRS with Chrome locking handle with 2 keys.

Internally, a pull-out frame assembly of 11 gauge CRS is attached to 4-nylon ball bearing slides that are capable of holding up to 200 lbs. of weight. This pull-out frame is drilled and tapped for 10-32 threads on standard E.I.A. universal spacing and is completely removable from the enclosure for field assembly or service. Equipment mounting hardware is included.



**STANDARD FEATURES**

- 16 gauge CRS welded enclosure with knockouts top and bottom. Cabinet offers 18" of useable depth.
- 11 gauge CRS front panel door frame with 16 gauge CRS flush mount front door with Chrome locking handle and 2 keys.
- 11 gauge CRS internal pull-out equipment frame, drilled and tapped for 10-32 threads on standard E.I.A. universal spacing. Equipment mounting hardware included. 4-Nylon Ball Bearing slides with max. weight load of 200 lbs. Completely removable for field assembly and service.
- Finish:  
Iron Phosphate cleaned, standard finish Textured Black, or one of HOME, Inc. many standard baked enamel colors.

CABINET MODEL NO.	RACK UNIT	DIMENSIONS			SHIPPING WEIGHT	LIST PRICE
		"A"	"B"	"C"		
HTB-1575	9	19"	15 3/4"	25"	111 LBS.	750.00
HTB-2800	16	31 1/4"	28"	37 1/4"	155 LBS.	848.00
HTB-4200	24	45 1/4"	42"	51 1/4"	190 LBS.	972.00
HTB-6125	35	64 1/2"	61 1/4"	70 1/2"	250 LBS.	1,654.00

\* Contact factory for dealer pricing.