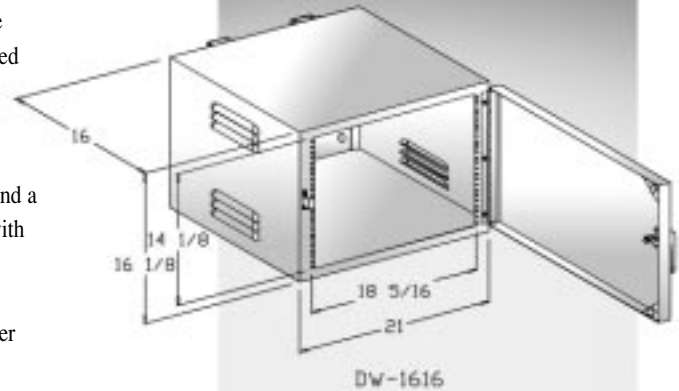


PRODUCT DESCRIPTION

The DW Series Deluxe Wall Mount Cabinet is available in 2 different sizes. The basic cabinet consists of a 16 gauge CRS housing, 16 gauge CRS front door and a 16 gauge CRS back panel. The front panel formed mounting flanges are punched .281" dia. holes on standard E.I.A. universal spacing.

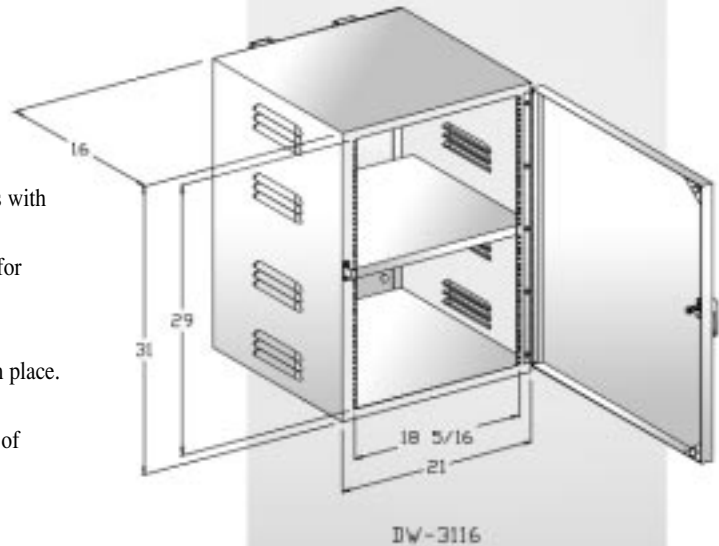
The full front door is equipped with a full-length tamperproof hinge, and a locking handle. The back panel is provided with 2 hanging channels with key slots and 4 conduit knockouts for cable access.

The taller DW-3116 is equipped with a welded-in-place 16 gauge center shelf.



STANDARD FEATURES

- 16 gauge welded wall mount cabinet, with mounting flanges punched .281" holes on standard E.I.A. universal spacing.
- 16 gauge CRS front door with locking handle and 2 keys. Door includes full-length tamperproof hinge and corner gussets with cork bumpers.
- 16 gauge back panel with 2 wall hanging brackets, key slotted for hanging. Back panel includes 4 – 7/8" knockouts for cable access.
- Model DW-3116 includes 16 gauge CRS center shelf welded in place.
- Finish:
Iron Phosphate cleaned, standard finish Textured Black, or one of HOME, Inc. many standard baked enamel colors.



CABINET MODEL NO.	RACK UNITS	SHIPPING WEIGHT	LIST PRICE
DW-1616	8	45 LBS.	242.00
DW-3116	16	75 LBS.	422.00

* Contact factory for dealer pricing.