

PRODUCT DESCRIPTION

The BF Series Base Cabinets are 14 gauge CRS welded open-sided frames. The bases are offered in two different depths (25 1/2" and 30 1/2"). Bases are available with either fixed mounting angles front and rear (suffix-F) or with moveable mounting rails front and rear (suffix-M). The moveable mounting rails are punched and tapped with 10-32 holes on EIA centers and the fixed mounting angles are punched .281" holes and include "j-nuts" for equipment mounting. Bases allow for 24 1/2" of equipment mounting (14 RU) in both the front and rear.

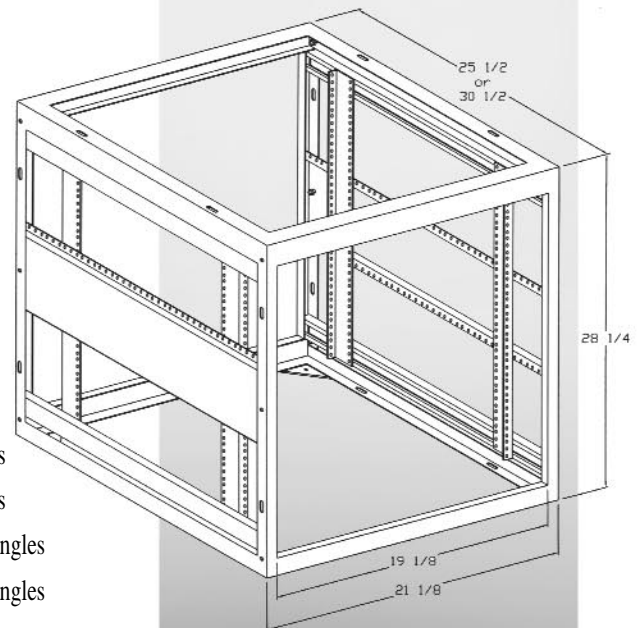
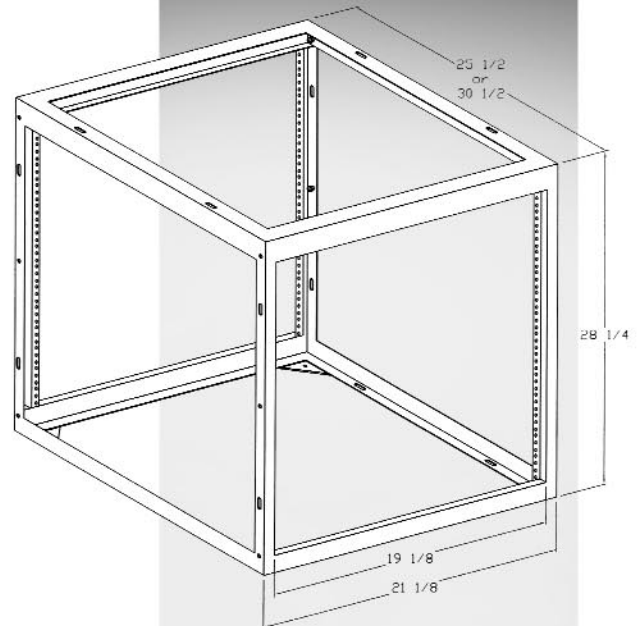
STANDARD FEATURES

- 14 gauge welded assembly, 22 1/8" wide
- Offered in 25 1/2" and 30 1/2" depths
- BF Series base (suffix-F) has formed mounting angles, front and rear, punched .281" dia. Holes on EIA centers and include "j-nuts" for equipment mounting.
- BF Series base (suffix-M) includes two pair 11 gauge punched and tapped mounting rails, 10-32 threads.
- Optional accessories include:
 - AT Series Turrets
 - ATL Series Lift top turrets
 - SPF Side panels (pairs)
 - DOR Flush mount front and rear doors
 - RP & TP Rear and top insert panels
 - BP Bottom base filler plate
 - CS Caster Set

MODEL NUMBER

DESCRIPTION

MODEL NUMBER	DESCRIPTION
BF19-24-25-F	Base frame, 22 1/8"w, 28 1/4"t, 25 1/2"d, fixed mounting angles
BF19-24-30-F	Base frame, 22 1/8"w, 28 1/4"t, 30 1/2"d, fixed mounting angles
BF19-24-25-M	Base frame, 22 1/8"w, 28 1/4"t, 25 1/2"d, moveable mounting angles
BF19-24-30-M	Base frame, 22 1/8"w, 28 1/4"t, 25 1/2"d, moveable mounting angles



* Contact factory for dealer pricing.